

User Manual

TS-BT35F01

About:

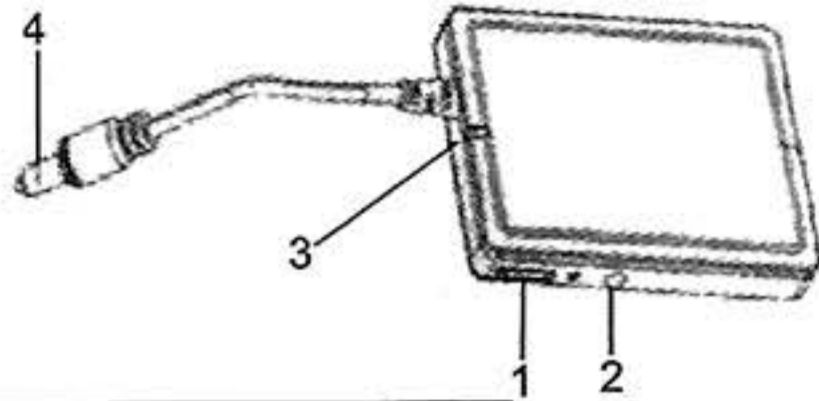
1. This is a bluetooth Audio transmitter .This device is with built-in rechargeable battery ,can be used for 9-10 hours after full charge.

2. System requirements .

All music player with 3.5mm audio jack, support bluetooth a2dp stereo receiver, eg. Bluetooth headset, bluetooth speaker.

3. How to charge?

1. main button
2. DC power jack
3. LED light.
4. 3.5mm audio jack



LED Indicates	Status
Red LED remains on	In charging
Red LED off	Full charge

4.on/off transmitter.

Function	operation	LED Status
on	Press main button about 3-5 seconds	blue LED on about 1 second
off	Press main button about 3-5 seconds	Red LED on about 1 second then off

1. How to pair with bluetooth device?

Only when this transmitter paired and connected with bluetooth receiver successfully then you can enjoy the wireless music. Before pairing, pls confirm your bluetooth receiver device can support a2dp:

2. How to pair?

- 1.keep your bluetooth transmitter and bluetooth receiver device within 10m
- 2.turn on your bluetooth receiver device, keep it in pairing mode
- 3.turn on your bluetooth transmitter , press the main button about 6-7 seconds, when blue and red LED light alternately flashing , now transmitter is in pairing mode and search receiver device automatically ,finish pairing and connecting.
4. After connecting successfully, the blue LED will flash twice in 4 seconds
- 5.connect the audio cable with your music player ,Now you can enjoy your music wirelessly.

Attention:

△ This transmitter can pair with "0000", "1234" "1111" or "8888"

△ if over 5 minutes the transmitter do not pair and connect successfully, it will be power off